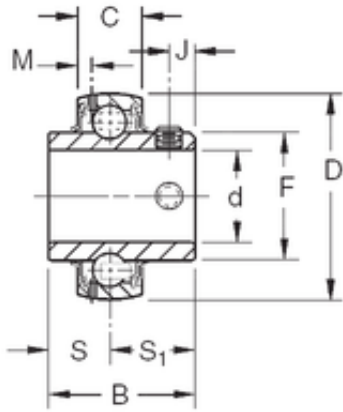




NTN BEARING MFG.CORP.

40 mm x 80 mm x 49,22 mm TIMKEN GYE40KRRB SGT Insert Bearings Spherical OD



Bearing No. GYE40KRRB SGT

Size	40x80x49.22 mm
Bore Diameter	40 mm
Outer Diameter	80 mm
Width	49,22 mm
d	40 mm
D	80 mm
B	49,22 mm
C	21 mm
S1	30,17 mm
F	52,27 mm
J	8 mm
M	4,06 mm
S	19,05 mm
Thread (G)	M8X1,25
Basic dynamic load rating (C)	36 kN

GYE40KRRB SGT Bearing 2D drawings and 3D CAD models